

► **MX44AB**
User Manual

Thank you for purchasing this product.

For optimum performance and safety, please read these instructions carefully before connecting, operating or adjusting this product. Please keep this manual for future reference.



Surge protection device recommended

This product contains sensitive electrical components that may be damaged by electrical spikes, surges, electric shock, lightning strikes, etc. Use of surge protection systems is highly recommended in order to protect and extend the life of your equipment.

Contents

Introduction	03
Features	03
Panel Descriptions	03/04
Remote Control Descriptions	04
Specifications	05
RS-232 Pin Assignment	05
DIP for EDID Setting	05
Application Diagram	06
Package Contents	07
Maintenance	07

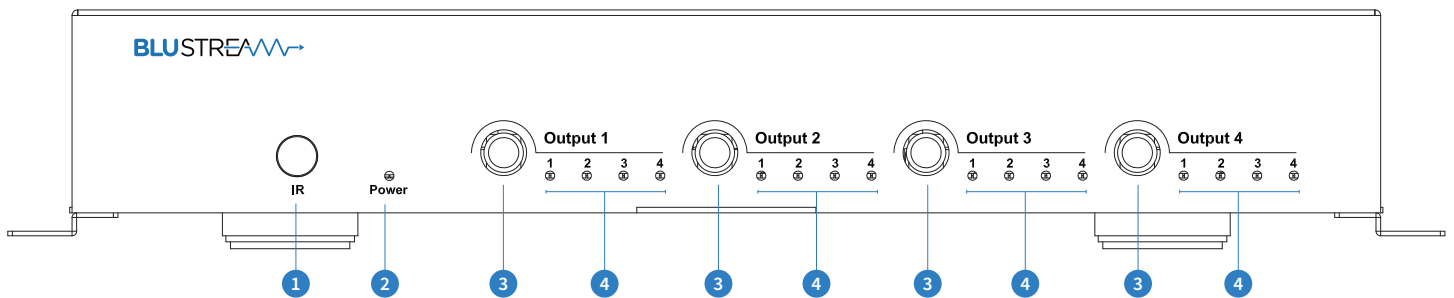
Introduction

Our MX44AB 4K HDMI matrix individually distributes four HDMI sources to four displays. This enables all sources to be viewed seamlessly as required within a matrix configuration. The unit transmits all HDMI resolutions up to and including 4K. The 4-Way matrix also includes the advanced features of audio breakout and EDID management.

FEATURES:

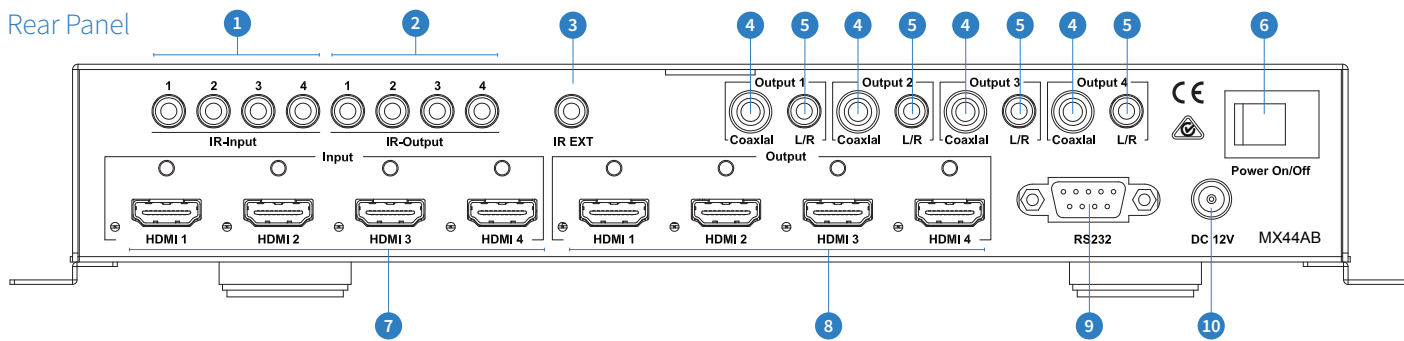
- Features 4x HDMI inputs which can be independently routed to 4x HDMI outputs
- Supports 4K UHD video (3840 x 2160 @30Hz 4:4:4, 4096 x 2160 @24Hz 4:4:4, and 4K @60Hz 4:2:0)
- Supports all industry standard video resolutions including VGA-WUXGA and 480i-4K
- Supports 3D signal display
- Supports all known HDMI audio formats including Dolby TrueHD, Dolby Atmos, Dolby Digital Plus and DTS-HD Master Audio transmission
- HDMI audio de-embedded to associated output analogue L/R audio and coaxial digital outputs concurrently
- Supports bi-directional IR from all input and output locations
- Supplied with Blustream IR receivers and emitters
- Control via front panel, IR and RS-232
- 3rd Party drivers available for all major home control brands
- Advanced EDID management
- HDCP compliant

Front Panel



- 1 IR receiver window – Receive the IR from the remote control of MX44AB.
- 2 Power LED indicator – Indicate the power state of the matrix.
- 3 HDMI output selection button 1 to 4 – Press to select the desired source input for the marked output zone 1 to 4.
- 4 Input LED indicator – Indicates the selected source in the zone output.

Rear Panel

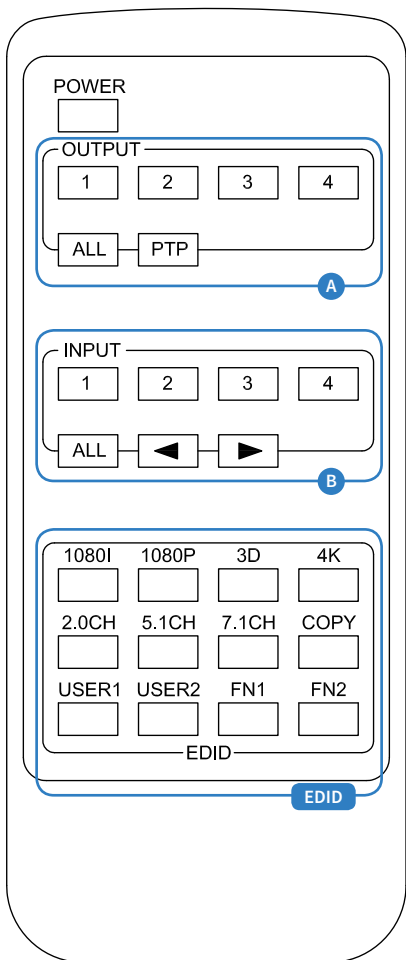


- 1 IR inputs 1 to 4 – Zone specific 3.5mm stereo phone-jack IR inputs
- 2 IR outputs 1 to 4 – Source specific 3.5mm IR jacks which provide routed IR from the zone IR inputs. Routing is determined by which source is selected in a zone.
- 3 IR extension receiver input – 3.5mm stereo phone-jack enabling the use of an external IR sensor for control of the matrix.

- 4 Coaxial output – RCA (S/PDIF) output from HDMI output (Zone specific)
- 5 L/R output – 3.5mm stereo phone-jack, audio from HDMI output (Only supports stereo PCM digital audio feeds)
- 6 Power switcher – Press to power matrix on/off
- 7 HDMI inputs 1 to 4 – Connect HDMI sources

- 8 HDMI outputs 1 to 4 – Output for displays, AVR etc.
- 9 RS232 female port – RS232 connection enabling external third party setup and control of the matrix.
- 10 Power port – Use included 12V/2A DC adaptor to power the matrix switcher.

Remote Control Description



OUTPUT AND INPUT SELECTION

- A** Selects the zone OUTPUT you wish to change the source on (Numbers 1 - 4 correspond to the zone outputs 1 - 4)
- B** Selects the source INPUT you wish to change on the selected zone (Numbers 1 - 4 correspond to the source inputs 1 - 4)

EXAMPLE

To switch source 2 to zone 4 you would press 4 in the output section (A) followed by pressing 2 in the Input section (B).

ALL button: The all button selects all the inputs or outputs in its corresponding box. Example: (The “All” button in the Output box selects all the zones so all zones will change to what source input is selected next)

PTP: This button will align all the zone outputs with the like numbered source inputs. Example: Input 1 to output 1, input 2 to output 2, etc

EDID SET UP

The MX44AB provides a comprehensive range of EDID settings. Below are three ex-

amples of how to deploy the desired EDID setting when using the supplied remote.

- A. Fix EDID to an INPUT or ALL inputs:** Press the desired video resolution button (1080I / 1080P / 3D / 4K), then select the desired audio format (2.0CH / 5.1CH / 7.1CH), then select the source input you want this EDID information allocated to by pressing the INPUT 1 – 4 or the ALL button
- B. Copy EDID of OUTPUT-X to an INPUT or ALL:** Press the COPY button then select the OUTPUT you wish to copy the EDID information from, then select the source input you want to copy this EDID to by selecting the INPUT 1-4 or the ALL button.
- C. User defined EDID to an INPUT or ALL inputs:** Press USER1 / USER2 button then select the source you wish to assign this EDID to by selecting INPUT 1-4 or the ALL button

NOTE: The button press sequence should be finished in 5 seconds, otherwise the operation is discarded.

Specifications

- Video Input Connectors: 4x HDMI Type A, 19-pin, female, locking
- Video Output Connectors: 4x HDMI Type A, 19-pin, female, locking
- Audio Output Connectors: 4x RCA (SPDIF), 4x Analogue audio L/R (3.5mm stereo Jack)
- RS-232 Serial Port: DB-9, female
- IR Input Ports: 5x 3.5mm stereo jack
- IR Output Ports: 4x 3.5mm mono jack
- Rack-Mountable: Rack ears included
- Dimensions (WxDxH): 428x114x43mm, without feet
- Shipping Weight: 1.0kg
- Operating Temperature: 32°F to 104°F (0°C to 40°C)
- Storage Temperature: -4°F to 140°F (-20°C to 60°C)
- Power Supply: 12V/2A DC, screw type connector

RS232 Pin Assignment

MT0404-A40		REMOTE CONTROL CONSOLE	
PIN	Assignment	PIN	Assignment
1	NC	1	NC
2	Tx	2	Rx
3	Rx	3	Tx
4	NC	4	NC
5	GND	5	GND
6	NC	6	NC
7	NC	7	NC
8	NC	8	NC
9	NC	9	NC

Baud Rate: 57600 bps

Data Bit: 8-bit

Parity: None

Stop Bit: 1-bit

Flow Control: None

EDID Control

EDID (Extended Display Identification Data) is a data structure that is used between a display and source. This data is used by the source to find out what audio and video resolutions are supported by the display then from this information the source will determine what the best audio and video resolutions are to be outputted.

While the objective of EDID is to make connecting a digital display to a source a simple plug and play procedure issues do arise when multiple displays or video matrix switching is introduced because of the increased number of variables.

By pre-determining the video resolution and audio format of the source and display device we can remove some of the EDID hand shaking process thus making switching quicker and more reliable. Instructions on these setting can be found on the right



[DIP]=0000: HDMI 1080p@60Hz, Audio 2CH PCM

[DIP]=0001: HDMI 1080p@60Hz, Audio 5.1CH PCM/DTS/DOLBY

[DIP]=0010: HDMI 1080p@60Hz, Audio 7.1CH PCM/DTS/DOLBY/HD

[DIP]=0011: HDMI 1080i@60Hz, Audio 2CH PCM

[DIP]=0100: HDMI 1080i@60Hz, Audio 5.1CH PCM/DTS/DOLBY

[DIP]=0101: HDMI 1080i@60Hz, Audio 7.1CH PCM/DTS/DOLBY/HD

[DIP]=0110: HDMI 1080p@60Hz/3D, Audio 2CH PCM

[DIP]=0111: HDMI 1080p@60Hz/3D, Audio 5.1CH PCM/DTS/DOLBY

[DIP]=1000: HDMI 1080p@60Hz/3D, Audio 7.1CH PCM/DTS/DOLBY/HD

[DIP]=1001: HDMI 4K2K, Audio 2CH PCM

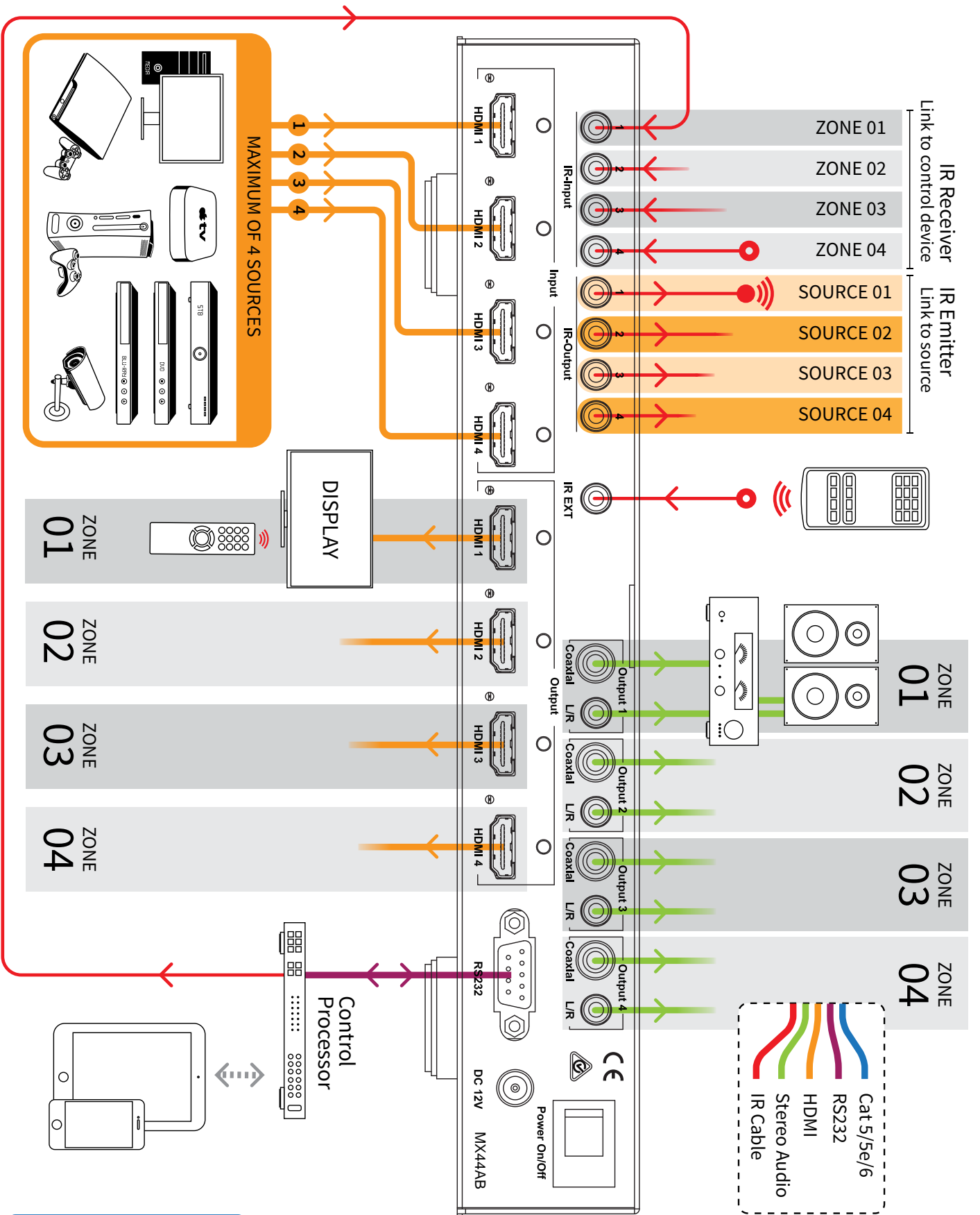
[DIP]=1010: HDMI 4K2K, Audio 5.1CH PCM/DTS/DOLBY

[DIP]=1011: HDMI 4K2K, Audio 7.1CH PCM/DTS/DOLBY/HD

[DIP]=1100: DVI 1280x1024@60Hz, Audio None

[DIP]=1101: DVI 1920x1080@60Hz, Audio None

[DIP]=1110: DVI 1920x1200@60Hz, Audio None



CONNECTION DIAGRAM

Package Contents:

- 1 x MX44AB
- 1 x 12V/2A DC power supply
- 1 x Remote control
- 4 x IR emitters
- 5 x IR receivers
- 1 x Mounting kit
- 1 x User manual

Maintenance

Clean this unit with a soft, dry cloth. Never use alcohol, paint thinner or benzene to clean this unit.

NOTES



www.blustream.co.uk
www.blustream.com.au